

# HDMI v1.3 1 x16 HDMI Splitter

- ID# 897



**Operation Manual**

## Introduction

The HDMI 1 by 16 splitter is capable of handling HDMI v1.3 and with support for Deep Color video and new lossless compressed digital audio. With extra features like EDID, this splitter is able to handle all your HDMI splitting needs.

## Applications

- Simultaneous display up to 16 displays
- Advertisement display
- Demonstration display
- TV wall display

## Features

- Compliant with HDMI 1.3, HDCP 1.1 and DVI 1.0
- Deep Color Video up to 12bits, 1080p@(24/60)Hz
- One HDMI source connect up to sixteen HDMI display simultaneously
- HDCP keysets allows each output to work independently when connecting to a HDMI display
- Splits a HDMI source up to sixteen outputs without signal loss
- Supports DVI source and DVI display by using HDMI to/from DVI adaptor cable
- Supports LPCM 7.1Ch, Dolby TrueHD, Dolby Digital Plus and DTS-HD Master Audio transmission (32-192kHz Fs sample rate)
- Supports a wide range of PC and HDTV resolutions from VGA to UXGA and 480i to 1080p
- HDMI cable distance tested with 1080p 8/12bits resolution the I/O source can run up to 10/10 meters.

**Note:** A.Cable tested with 24AWG using cables of another type may result in a different operating distance.

B. Cable distance test included the following: PS3 120G and 37" Samsung 12-bit LCD TV.

C.Figures provided in this manual are reference figures only, actual figures may depend on source and display use with cable specification.

- Supports EDID functionality. The unit will detect the first HDMI/DVI output source's EDID and record in the unit. If the first detected output source is empty it will pass to next source, until the first HDMI/DVI been detected. When re-plug the power, the system will automatically recover the EDID.
- Support xvYCC
- Cascade up to 2 layer

## System Requirements

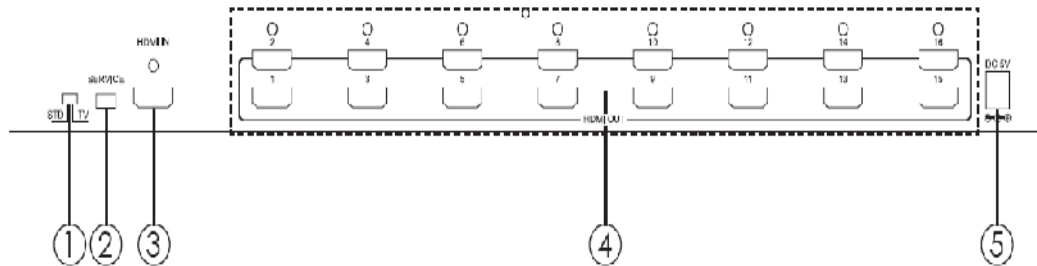
Input source equipment such as PC or DVD player with connection cables and output HD monitor or LCD TV with HDMI cable.

## Operation Controls and Functions Front panel



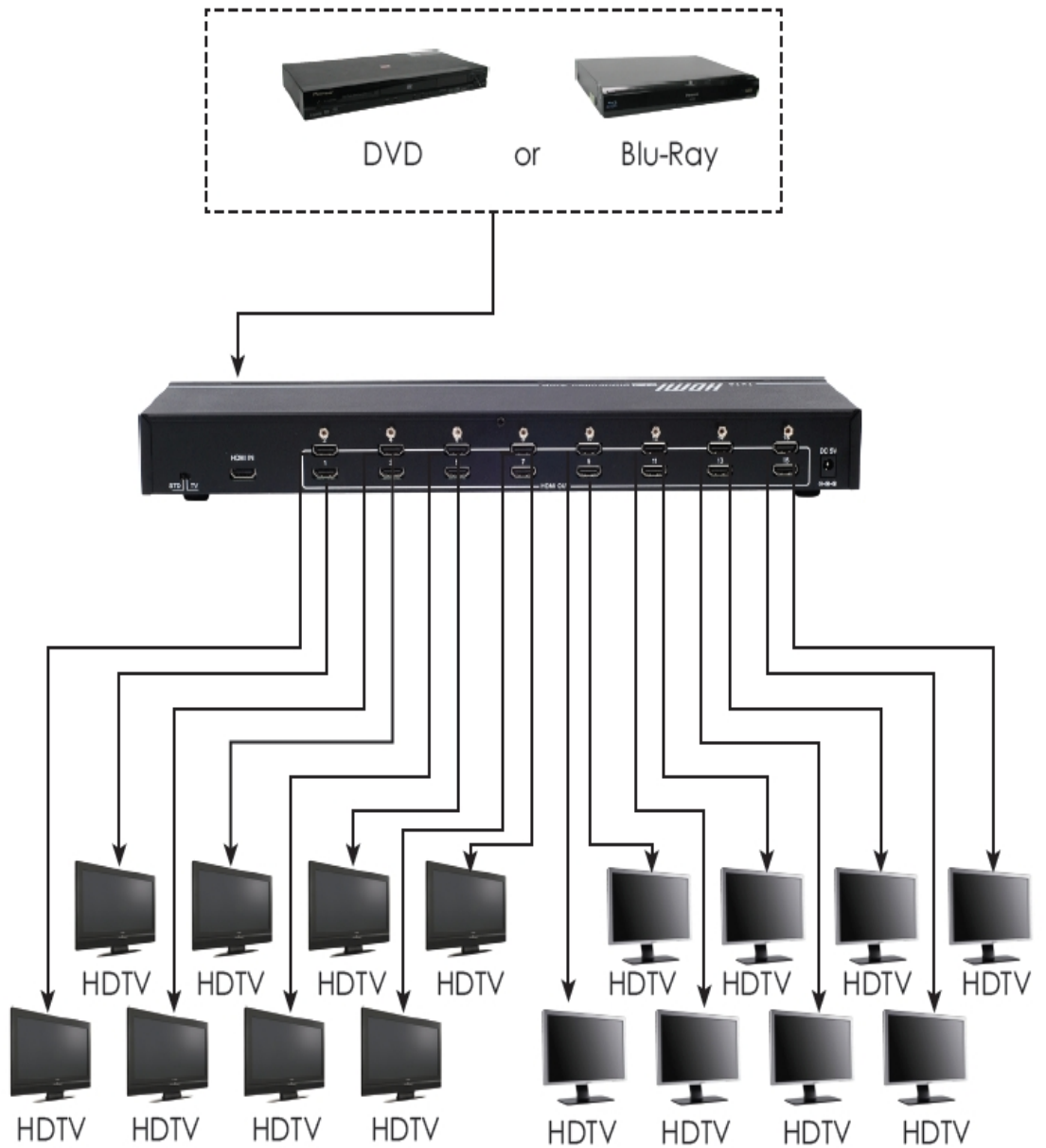
- 1. Power LED:** The green LED will illuminate when the power is connected with AC wall outlet.
- 2. SYNC:** The LED will illuminate in green when the device has detected with sync from source. This LED will also blink once while the power is turned on.

## Rear Panel



- 1. EDID Switch STD/TV:** This switch allows user to select the function of EDID from TV or from the built-in EDID of the device. By switching the dip switch to TV will allow the source to send out the signal according to 1st HDMI output's EDID and by switching it to STD will allow the source to send out the signal according to the set EDID recorded in the device. The default setting is on TV, leave it as it is when the display is properly playing. .
- 2. SERVICE:** This slot is for manufactory service purpose only.
- 3. HDMI IN:** This slot is to connect with input source equipment such as DVD/Blue-Ray player with HDMI cable for video and audio input signal.
- 4. HDMI Out 1~16:** These slots are to connect with LCD TV or HD monitor for both video and audio display simultaneously with HDMI cables.
- 5. DC 5V:** This slot is where you plug the 5V DC power supply into the unit and connect the adaptor to an AC wall outlet.

## Connection



## Specifications

<b>TMDS Clock Frequency</b>	225MHz
<b>Input Port</b>	1 x HDMI
<b>Output Ports</b>	16 x HDMI
<b>EDID</b>	STD/TV
<b>HDMI Audio Format</b>	PCM2/5.1/7.1, Dolby 5.1, DTS 5.1, DD+, D-TrueHD, DTS-HD
<b>HDMI Cable In</b>	1080p 8-bit or 12-bit (10M)
<b>HDMI Cable Out</b>	1080p 8-bit or 12-bit (10M)
<b>Power Supply</b>	5V / 6A DC ( US/EU standards, CE/FCC/UL certified)
<b>ESD Protection</b>	Human body model: ± 8kV (air-gap discharge) ± 6kV (contact discharge)
<b>Dimensions(mm)</b>	436 (W) x 120 (D) x 49(H)
<b>Weight(g)</b>	2000
<b>Chassis Material</b>	Metal
<b>Silkscreen</b>	Color Black
<b>Operating Temperature</b>	0°C~40°C / 32°F~104°F
<b>Storage Temperature</b>	-20°C~60°C / -4°F~140°F
<b>Power Consumption</b>	20W
<b>Relative Humidity</b>	20 ~ 90% RH (non-condensing)