

HDMI HD 4K2K Scaler

15240



Operation Manual

Introduction

The HDMI 4K2K Scaler is designed to upscale 1080p@24 signal into 4K2K or downscale 4K2K signal into 1080p@24. With friendly and simple design which allows user with direct viewing on input resolution and switching output signal format up to 2 simultaneous HDMI. The HDMI 4K2K Scaler is your best media between HD and Ultra HD signal.

Applications

- Ultra HDMI source displaying on standard LED TV/monitor
- Ultra HDMI source displaying on 4K2K TV/Panel
- Standard Blu-ray/DVD player source displaying on 4K2K TV/Panel
- Standard Blu-ray/DVD player source displaying on standard LED TV/monitor

System

Requirements

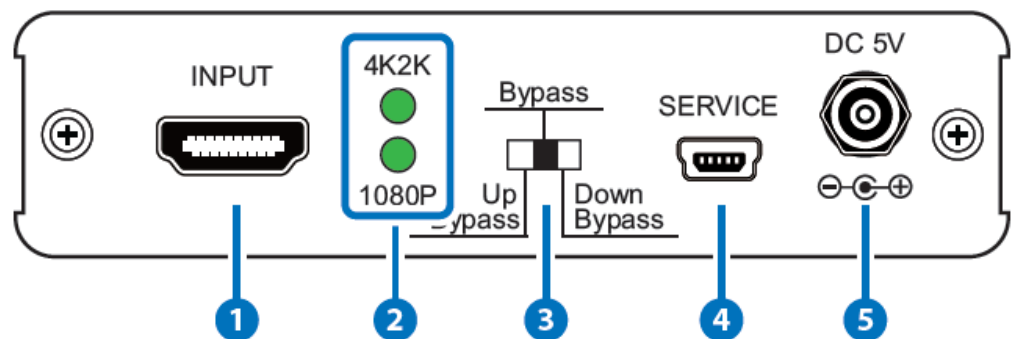
Input source equipment such as DVD/Blu-ray(4K2K) player and output HDMI (4K2K) TV/display

Features

- Supports HDMI signal upscale to 4K2K or downscale to [1080p@24](#)
- Supports HDMI signal bypass
- Simultaneous HDMI outputs
- Friendly and simple to use

Operation Controls and Functions

Front Panel



1.INPUT: Connect from HDMI source equipment such as Blu-ray/DVD player with or without 4K2K signal.

2 4K2K / 1080P LED: These LED will illuminate according to input source signal's resolution when both LED are illuminating it state the input source's signal does not belong to [4K2K/1080P@24](#).

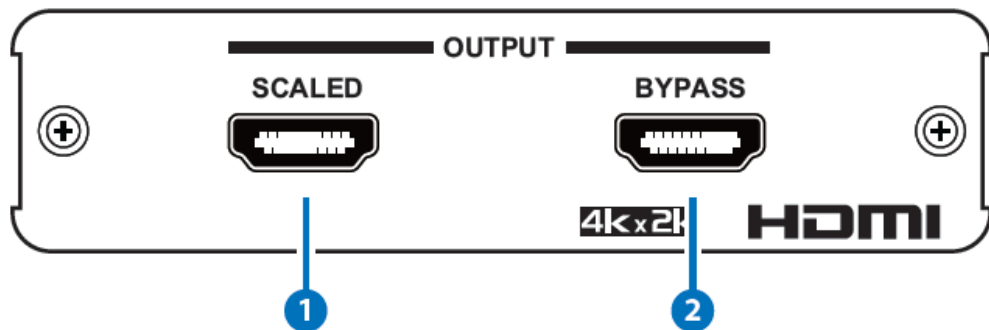
3 Bypass Switch: Switch this switch to select the input source signal to be upscale/downscale or bypass it to output display.

Source	Switch	Scaled	Bypass
1080P24	Up	4K2K	1080P24
	Down	1080P24	1080P24
4K2K	Up	4K2K	4K2K
	Down	1080P24	4K2K

4 SERVICE: This slot is reserved for factory use only.

5 DC 5V IN: Connect 5V DC power supply into the unit and connect the adaptor to an AC outlet. Both 4K2K & 1080P's LEDs will illuminate when power is connected.

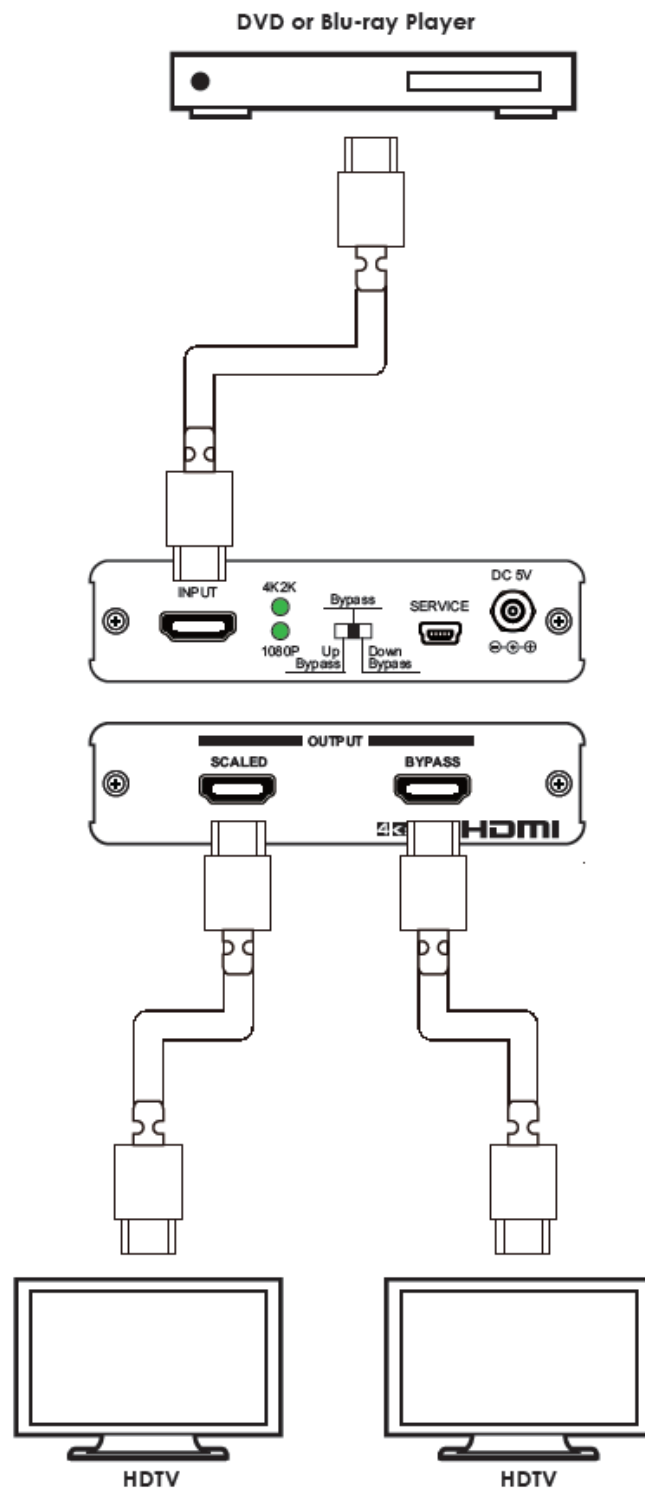
Rear Panel



1 SCALED: This slot is to connect with HDMI TV/display with or without 4K2K specification for output AV displaying according to Bypassswitch setting.

2 BYPASS: This slot is to connect with HDMI TV/display with or without 4K2K specification for output AV displaying according to inputsource signal setting.

Connections



Specifications

Video Frequency	300MHz/9Gbps
Input Port	1 x HDMI
Output Ports	2 x HDMI
4K2K HDMI Cable Distance	In 5M, Out 10M
Power Supply	5V / 2.6A DC (US/EU standards, CE/ FCC/UL certified)
ESD Protection	Human body model: ±8kV (air-gap discharge) ±4kV (contact discharge)
Dimensions (mm)	102(W) x 102(D) x 25 (H) 102(W) x 108.75(D) x 25 (H)/Including Jacks
Weight(g)	220
Chassis Material	Aluminum
Silkscreen Color	Black
Operating Temperature	0 °C~40 °C / 32 °F ~ 104 °F
Storage temperature	-20 °C~60 °C / -4 °F ~ 140 °F
Relative Humidity	20~90% RH (no condensation)
Power Consumption (W)	2.4W