

**HDBaseT HDMI over CAT5e/6
Transmitter/Receiver w/dual PoE -
15335/15336**



Operation Manual

Introduction

The HDMI with RS-232 over Single CAT5e/6 transmitter and receiver set can send uncompressed audio/video over a single run of CAT5e/6 cable up to 100m with PoE feature and the added benefit of control through the built-in RS-232 and IR ports and a bi-directional LAN connection

Applications

- Household entertainment sharing and control
- Lecture room display and control
- Showroom display and control
- Meeting room presentation and control
- Classroom display and control

System Requirements

Input HDMI source equipment such as DVD/Blu-ray player and HDMI equipped output display (TV or monitor)

Features

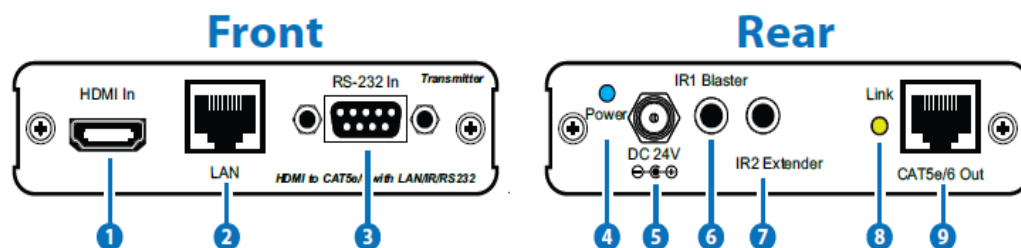
- HDMI 1.4 with 3D, 4kx2k support, HDCP & DVI Compliant
- Supports CEC bypass
- Simultaneous transmission of uncompressed data over a single 100m/328ft CAT5e/6 cable
- Uncompressed video 1080p, 60Hz, 36-bit
- Audio support up to 7.1CH & Dolby TrueHD, DTS-HD
- 5Play™ convergence: HDMI, LAN, Bidirectional PoE & Control (IR & RS-232)
- Installation Friendly

Note:

1. This system was tested with CAT6/23AWG cables, results may vary with cables of a different specification.
2. The PoE function is designed for powering compatible receiver units only—non-PoE receivers will need their own power supply. Receivers of another brand may not be compatible

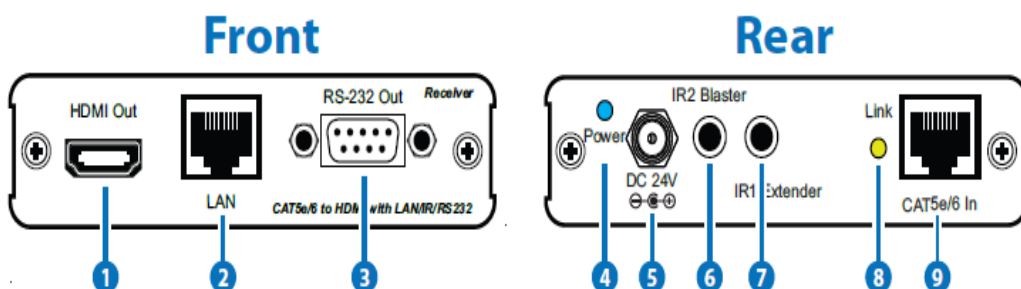
Operation Controls and Functions

Transmitter



- 1. HDMI In:** Connect to HDMI source equipment such as a DVD or Blu-ray player.
- 2. LAN:** Connect to an internet or network connection.
- 3. RS-232 In:** Connect to a PC or laptop with D-Sub 9 pin male cable for the transmission of RS-232 commands.
- 4. Power LED:** This blue LED will illuminate when the device is connected to a power supply.
- 5. DC 24V:** Plug the 24 V DC power supply into the unit and connect the adaptor to an AC outlet. Only one side of power needs to be connected to activate both transmitter and receiver.
- 6. IR 1 Blaster:** Connect to the supplied IR blaster cable for IR signal transmission. Place the IR blaster in direct line-of-sight of the equipment to be controlled.
- 7. IR 2 Extender:** Connect to the supplied IR receiver cables for IR signal reception. Ensure that remote being used is within the direct line-of-sight of the IR extender.
- 8. Link LED:** The yellow LED will illuminate when both the input and output signals are connected.
- 9. CAT5e/6 Out:** Connect to the receiver unit with a Single CAT5e/6 cable for transmission of all data signals.

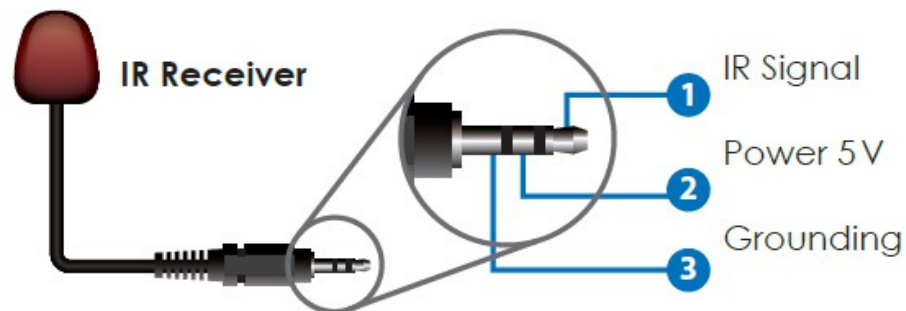
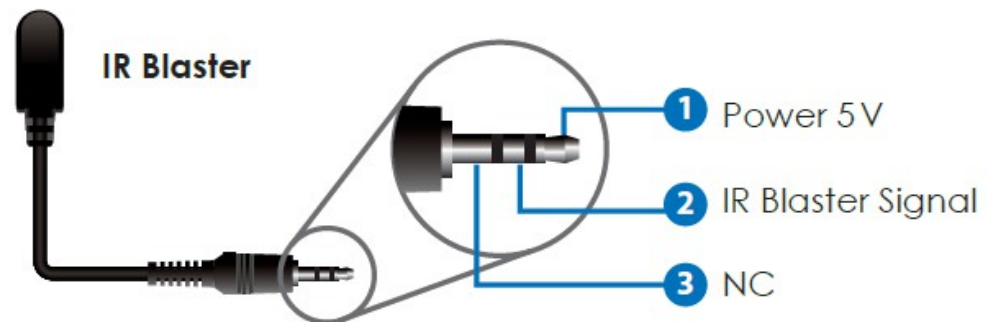
Receiver



- 1. HDMI Out:** Connect to a HDMI equipped TV/monitor for display of the HDMI input source signal.
- 2. LAN:** Connect to a PC or Laptop to the Internet or network connection.
- 3. RS-232 Out:** Connect to the device that is to be controlled (via D-Sub 9 pin female cable) by RS-232 commands.

- 4. Power LED:** This blue LED will illuminate when the device is connected to a power supply.
- 5. DC 24V:** Plug the 24 V DC power supply into the unit and connect the adaptor to an AC outlet. Only one side of power needs to be connected to activate both transmitter and receiver.
- 6. IR 2 Blaster:** Connect to the supplied IR blaster cable for IR signal transmission. Place the IR blaster in direct line of sight of the equipment to be controlled.
- 7. IR 1 Extender:** Connect to the supplied IR receiver cables for IR signal reception. Ensure that remote being used is within the direct line-of-sight of the IR extender.
- 8. Link LED:** The yellow LED will illuminate when both the input and output signals are connected.
- 9. CAT5e/6 In:** Connect to the transmitter unit with a Single CAT5e/6 cable for transmission of all data signals.

IR Cable Pin Assignment



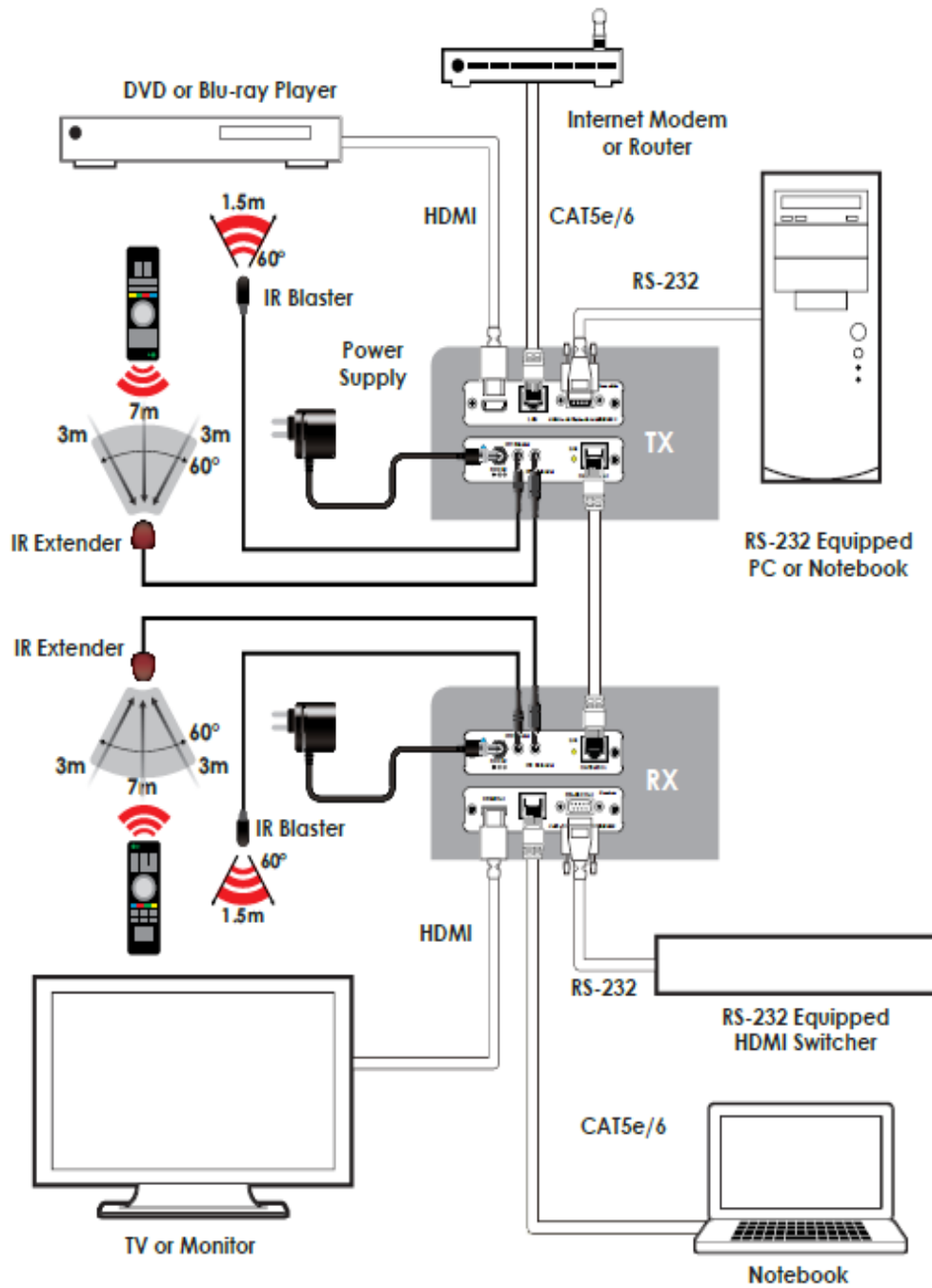
D-Sub 9 Pin Definitions

Video CV-SV 4x1 Switch	
PIN	DEFINITION
1	NC
2	TxD/RxD
3	RxD/TxD
4	NC
5	GND
6	NC
7	NC
8	NC
9	NC

Specifications

Video Bandwidth	300MHz / 9Gbps
Ethernet Speed	100 Mbps
Transmitter	
Input	1×HDMI, 1×IR Extender, 1×RS-232, 1×LAN
Output	1×CAT5e/6, 1×IR Blaster
Receiver	
Input	1×CAT5e/6, 1×IR Extender
Output	1×HDMI, 1×RS-232, 1× IR Blaster, 1× LAN
HDMI In/Out Cable Distance	Up to 10 Meters
CAT6 In/Out Cable Distance	Up to 100 Meters
HDMI In/Out Supports Resolution	480i~1080p@50/60, 1080p@24, VGA~WUXGA
IR Frequency	30~50 kHz
ESD Protection	Human Body Model: ±8 kV (air-gap discharge) ±4 kV (contact discharge)
Power Supply	24 V/1.25 A DC (US/EU Standards, CE/FCC/ UL certified)
Dimensions	102 mm (W)×113 mm (D)×25 mm (H)/each
Weight	252 g (TX), 256 g (RX)
Chassis Material	Aluminum
Silkscreen Color	Silver
Power Consumption	13 W
Operating Temperature	0 °C~40 °C/32 °F ~104 °F
Storage Temperature	-20 °C~60 °C/-4 °F~140 °F
Relative Humidity	20~90 % RH (non-condensing)

Connection Diagram



Note: Only one side of power needs to be connected to activate both transmitter and receiver.