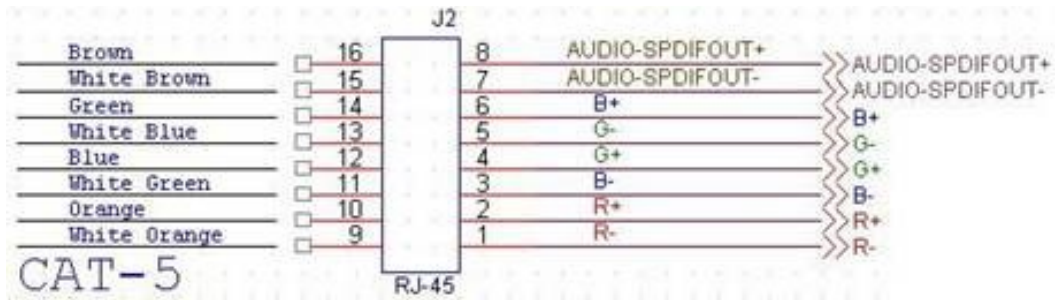


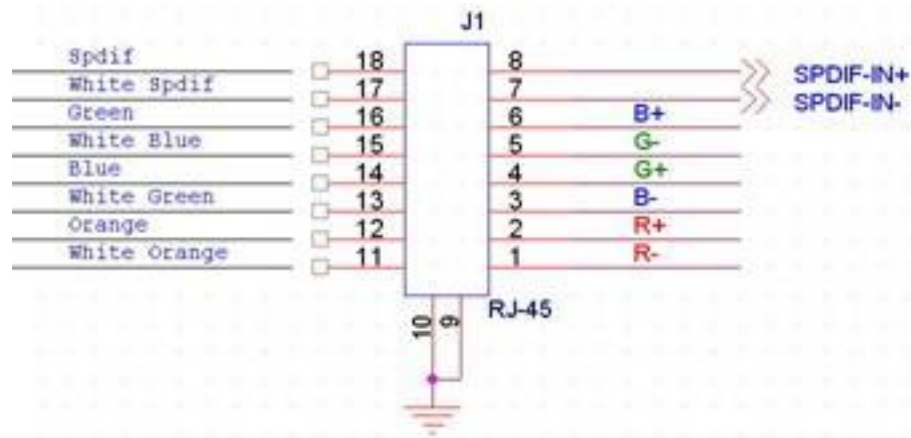
# Cable Pin-outs

## For CA-COMP series



## For CA-HDMI series

- VIDEO



- DDC

