

**PC to Component Video Transmitter
over Cat5 Cable - 50m to 100m ID# 549**



Operation Manual

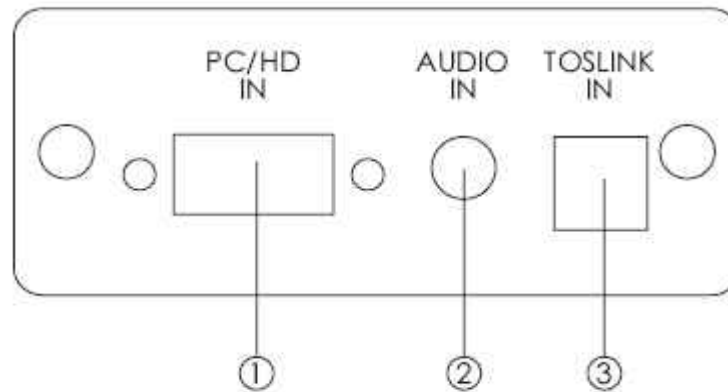
Introduction

The **PC to Component Video Transmitter over Cat5 Cable - 50m to 100m** is the transmitter (Tx) unit of Component over CAT5 solution, depends on the type of receiver (Rx) unit used. PC to Component Video Transmitter over Cat5 Cable - 50m to 100m can extend Component signal through CAT-5 cables for a distance up to 50/100 meters. The installation of Cypress Component over CAT5 is easy and quick, simply place PC to Component Video Transmitter over Cat5 Cable - 50m to 100m next to your display, and get all necessary cables connected to complete and enjoy.

Features

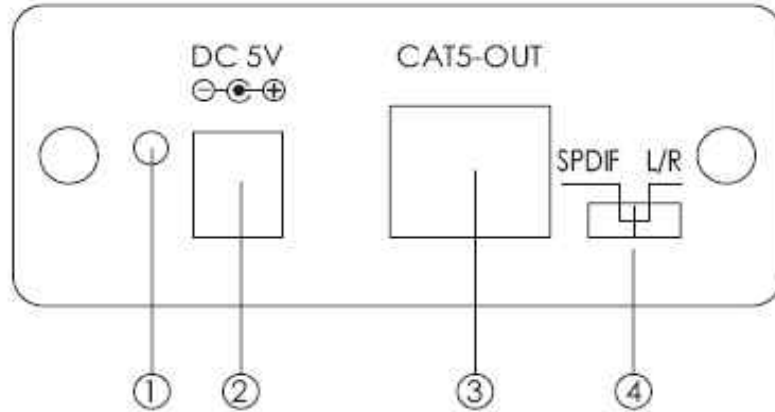
- Supports PC/RGB and HD/YCbCr/YPbPr format input.
- Supports CAT-5/CAT-5E/CAT-6 cable.
- Supports high definition (HD) input source up to 1080P.
- Supports PC input source up to UXGA.
- Easy to install and simple to operate.

Operating Functions and Controls Front Panel



- 1. PC/HD input:** Connected the PC/HDMI input port to the PC/HDMI output of your source equipment.
- 2. Audio input:** Connected external audio source.
- 3. Toslink input:** Connected external SPDIF audio source.

Rear Panel



- 1. Power ON/OFF indicator.**
- 2. DC 5V/1A:** Power input.
- 3. CAT5-Out:** Connected the video output to the video input of the CAT5 receiver unit using CAT-5 cable.
- 4. Switch:** Select output audio source (SPDIF or L/R).

Specifications

Supported resolutions
Input audio source ports
Output video source port
Power Supply

Dimensions (mm)
Weight(g)
Chassis Material
Silk Skin Color
Operating Temperature

HD: up to 1080p; PC: up to UXGA
Audio L/R and Toslink/SPDIF
CAT-5
5V/1A DC (US/EU standards, CE/FCC/UL certified)
99.5(W) x 79.5(D) x 32.5(H)
200
Metal
Black/Silver
Operating from 0°C~70°C ~ C