

PC/TV Genie

Operation
Manual

FEDERAL COMMUNICATIONS COMMISSION

This device complies with Part 15 of the FCC Rules. Operation is subject to the following two conditions: (1) this device may not cause harmful interference, and (2) this device must accept any interference received, including interference that may cause undesired operation.

This equipment has been tested and found to comply with the limits for a Class B Digital Device, pursuant to part 15 of the FCC Rules. These limits are designed to provide reasonable protection against harmful interference in a residential installation. This equipment generates, uses and can radiate radio frequency energy and, if not installed and used in accordance with the instruction, may cause harmful interference to radio communication.

However, there is no guarantee that interference will not occur in a particular installation. If this equipment does cause harmful interference to radio or television reception, which can be determined by tuning the equipment off and on, the user is encouraged to try to correct the interference by one or more of the following measures:

- Reorient or relocate the receiving antenna.
- Increase the separation between the equipment and receiver.
- Connect the equipment into an outlet on a circuit different from that to which the receiver is connected.
- Consult the dealer or an experienced radio/TV technician for help.

Notice: Changes or modifications not expressly approved by the party responsible for compliance could void the user's authority to operate the equipment.

CE DECLARATION

This device complies with CE

EN50081-1 : EN55022

EN50082-1 : IEC801-2

IEC801-3

IEC801-4

Printed in TAIWAN R.O.C

All contents are subject to change without notice.

All trademarks are the property of their respective owner

Chapter 1. Overview	1
1.1 Introduction	1
1.2 Features	1
1.3 Specifications	2
1.4 Package Contents	2
1.5 System Requirements	2
Chapter 2. Outline Description	3
2.1 Input Port	4
2.2 Output Port	4
2.3 Adjustment	4
2.4 Others	4
Chapter 3. System Connection	5
Chapter 4. Hardware Installation	6
Chapter 5. OSD Functions Description	7
5.1 Sharpness	7
5.2 Zoom	8
5.3 Panning	8
5.4 Horizontal/Vertical scaling	9
5.5 Positioning	9
5.6 Bright	10
5.7 Color bar	10
5.8 Reset	10
Chapter 6. Remote Controller	11
Chapter 7. Trouble Shooting	12

1.1 Introduction

Congratulations on your purchase of the PC/TV Genie. The PC/TV Genie accepts graphic data from PC (VGA) signal and converts them into video format (Composite, S-VHS & analog RGB for SCART implementation). It provides the best video quality and avoids noise problem.

PC/TV Genie is pure hardware design. Plug & Play is achieved by automatically detecting the scan rate and resolution of the incoming graphic signals without the use of software.

1.2 Features

- True Plug & Play, no software drivers required.
- Compatible with ALL PCs.
- The scan rates up to 100Hz are supported for 640x480 resolution, up to 85Hz for 800x600 resolution, 75Hz for 1024x768 resolution, and up to 60Hz for 1152x864 resolution.
- True color quality.
- Simultaneous display both on TV screen and PC monitor.
- Support NTSC, PAL and SECAM video system. (SECAM system displayed by analog RGB output port)
- Video output : Composite video, S-video and analog RGB for SCART
- Support four push buttons combined with the OSD (on-screen-display) function, easy to control and change the function.
- 4 x zoom function support, best for presentation.
- Horizontal/Vertical scaling independent to meet TV Screen
- Horizontal/Vertical picture positioning.
- TV brightness control.
- TV sharpness control.
- 8-Level flicker control.
- Freeze function.
- Auto-Save for screen position, brightness, Sharpness.
- Remote controller.

1.3 Specifications

- Input signal : VGA
- Horizontal frequency : 25KHz – 58.464KHz
- Vertical frequency : 50Hz – 100Hz
- Output signal : Composite video, S-video, analog RGB video for SCART, Computer monitor pass-thru
- Power supply : 9VDC power adapter
- Dimension : Base unit : 165mm x 105mm x 26mm
Remote unit : 86mm x 45mm x 7mm
- Weight : Base unit : 230g (0.51 lbs)
- Warranty : One-year parts & labor
- Compliance : FCC class B and CE

1.4 Package Contents

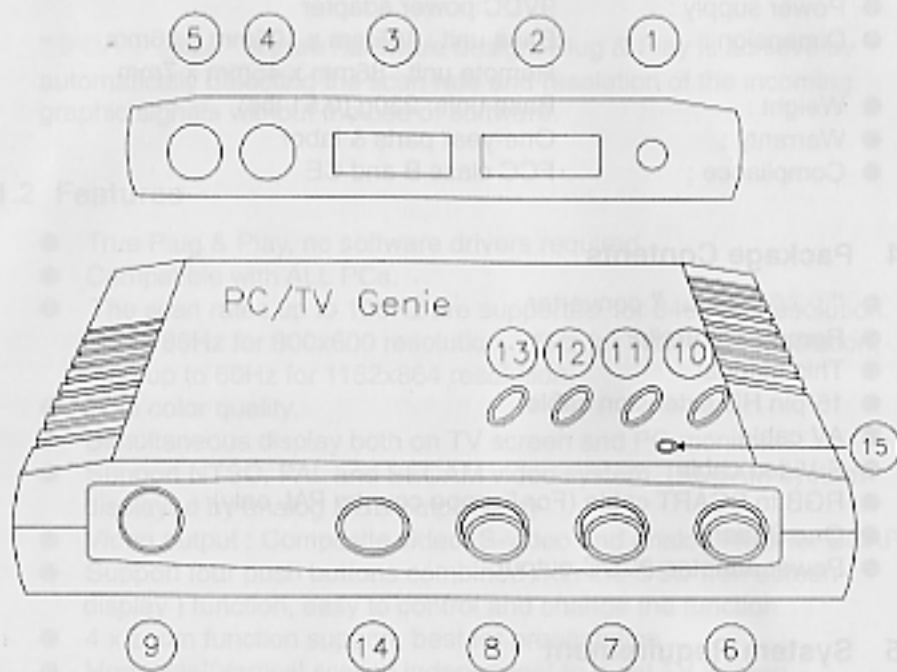
- "PC/TV Sense" converter.
- Remote Controller
- This manual.
- 15-pin HD extension cable.
- AV cable.
- S-Video cable.
- RGB to SCART cable (For Europe country PAL only)
- One Battery
- Power adapter, 9VDC output.

1.5 System Requirement

- IBM PC or compatibles
- TV set or Video input device with Composite video, S-VHS or SCART connector

Chapter 2. Outline Description

Please refer to the figure as below for the outline of "PC/TV Genie"






2.1 Input Port

- 01 DC 9V : DC in
- 02 VGA in :15-pin H.D. connect to VGA display card

2.2 Output Port

- 03 Monitor : connect to PC monitor
- 04 C-out : composite video out, connect to TV
- 05 S-out : S-VHS video out, connect to TV
- 09 RGB out : RGB video out for SCART, connect to TV

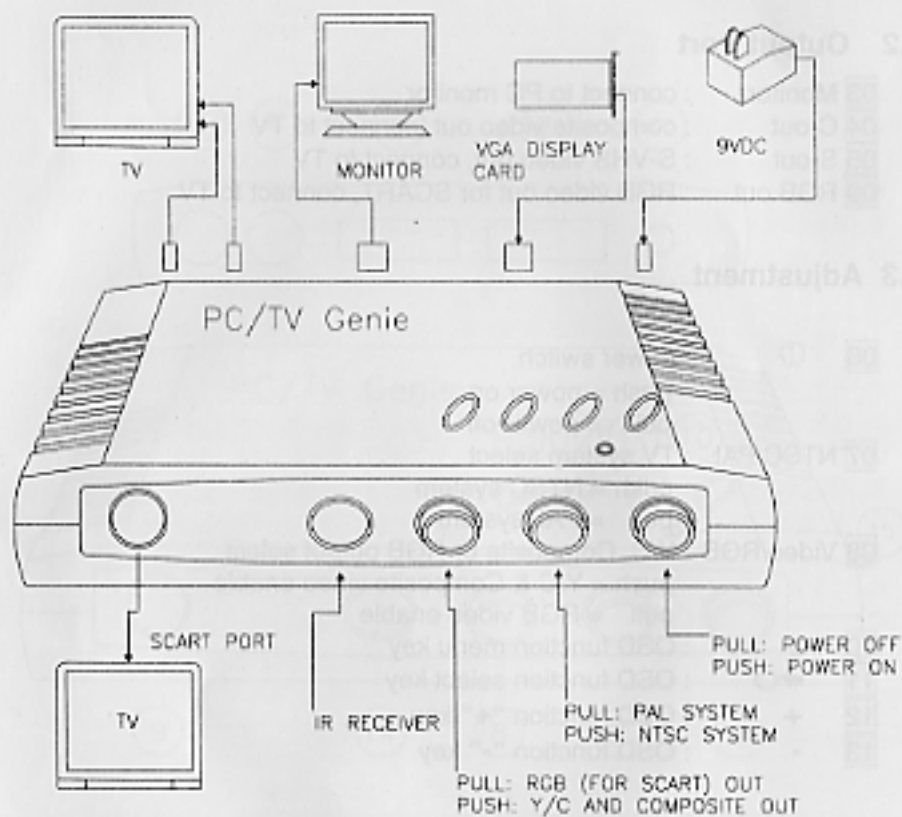
2.3 Adjustment

- 06  : power switch
push = power on
pull = power off
- 07 NTSC/PAL : TV system select
push = NTSC system
pull = PAL system
- 08 Video/RGB : Y/C, Composite or RGB output select
push = Y/C & Composite video enable
pull = RGB video enable
- 10  : OSD function menu key
- 11  : OSD function select key
- 12 + : OSD function "+" key
- 13 - : OSD function "-" key

2.4 Others

- 14 : IR receiver for remote controller
- 15 : power LED

Chapter 3. System Connection



Please complete the following steps properly

1. Make sure "PC/TV *Genie*", PC and TV are all power off.
2. Properly connect the 15-pin HD extension cable between VGA card & "VGA in" (*PC/TV Genie*) input port
3. Connect PC monitor cable to "Monitor" (*PC/TV Genie*) output port
4. Connect AV(C-out), S-VHS(S-out) cable or SCART(RGB out) cable from " *PC/TV Genie* " to TV
5. Switch the "NTSC/PAL" button to match TV video system
6. Switch the "Video/RGB" button to match the video out
7. Plug in DC 9V power adapter
8. Turn on PC and TV system
9. Make sure the correct channel selection of TV set
10. Push the button " ⓐ " (power on)
11. Now the data will simultaneous display both on PC monitor and TV screen

Chapter 5. OSD Function Description

“ PC/TV *Genie* ” provides four push buttons for user-friendly on screen operation, [&], [◀○], [+] and [-].

There are eight functions in OSD manu, which are:



Sharpness



Zoom



Panning



H/V scaling



Positioning



Bright



Color Bar



Reset

5.1 Sharpness



There are eight level sharpness modes supported in sharpness control.

Control step :

- 5.1.1. Press [&] to pop up main menu, if the main menu not shown.
 - 5.1.2. Use [+] or [-] to locate sharpness control icon.
 - 5.1.3. Press [◀○] to enter sharpness level.
- To exit Sharpness control, press [&] again

5.2 Zoom



"PC/TV *Genie*" performs 2X zoom in both horizontal and vertical direction. This is used with the panning function to display across VGA image. In zoom mode doesn't support underscan mode. So in zoom mode the Overscan / Underscan function is disable.

Control step :

- 5.2.1. Press [&] to pop up main menu, if the main menu not shown.
- 5.2.2. Use [+] or [-] to locate zoom control icon.
- 5.2.3. Press [] to enter zoom control mode.
- 5.2.4. Press [] to switch the zoom / normal mode.
- 5.2.5. press [+] or [-] to select the desired zoom mode.

There are four quadrant zoom modes supported when it was turned on.

- zoom mode 1 : top - left of VGA screen
- zoom mode 2 : top - right of VGA screen
- zoom mode 3 : bottom - right of VGA screen
- zoom mode 4 : bottom - left of VGA screen

To exit Zoom control, press [&] again

5.3 PANNING



"PC/TV *Genie*" supported two pan modes (vertical and horizontal) in pan control. PAN control is for VGA windows moving on TV.

Control step :

- 5.3.1. Press [&] to pop up main menu, if the main menu not shown.
- 5.3.2. Use [+] or [-] to locate pan control icon.
- 5.3.3. Press [] to enter pan control mode.
- 5.3.4. Press [] to toggle the pan mode (vertical and horizontal).
- 5.3.5. press [+] or [-] to pan VGA windows screen up/down or right/left.

To exit Pan control, press [&] again

Chapter 5. OSD Function Description

"PC/TV *Service*" provides four push buttons for user-friendly on screen operation, [&], [◀○], [+] and [-].

There are eight functions in OSD menu, which are:



Sharpness



Zoom



Panning



H/V scaling



Positioning



Bright



Color Bar



Reset

5.1 Sharpness



There are eight level sharpness modes supported in sharpness control.

Control step :

5.1.1. Press [&] to pop up main menu, if the main menu not shown.

5.1.2. Use [+] or [-] to locate sharpness control icon.

5.1.3. Press [◀○] to enter sharpness level.

To exit Sharpness control, press [&] again

5.2 Zoom



"PG/TV *Home*" performs 2X zoom in both horizontal and vertical direction. This is used with the panning function to display across VGA image. In zoom mode doesn't support underscan mode. So in zoom mode the Overscan / Underscan function is disable.

Control step :

- 5.2.1. Press [&] to pop up main menu, if the main menu not shown.
- 5.2.2. Use [+] or [-] to locate zoom control icon.
- 5.2.3. Press [] to enter zoom control mode.
- 5.2.4. Press [] to switch the zoom / normal mode.
- 5.2.5. press [+] or [-] to select the desired zoom mode.

There are four quadrant zoom modes supported when it was turned on.

- zoom mode 1 : top - left of VGA screen
- zoom mode 2 : top - right of VGA screen
- zoom mode 3 : bottom - right of VGA screen
- zoom mode 4 : bottom - left of VGA screen

To exit Zoom control, press [&] again

5.3 PANNING



"PG/TV *Home*" supported two pan modes (vertical and horizontal) in pan control. PAN control is for VGA windows moving on TV.

Control step :

- 5.3.1. Press [&] to pop up main menu, if the main menu not shown.
- 5.3.2. Use [+] or [-] to locate pan control icon.
- 5.3.3. Press [] to enter pan control mode.
- 5.3.4. Press [] to toggle the pan mode (vertical and horizontal).
- 5.3.5. press [+] or [-] to pan VGA windows screen up/down or right/left.

To exit Pan control, press [&] again

5.4 Horizontal/Vertical scaling



Normally TV is in overscan, meaning the border of the picture is outside the visible areas of the TV screen.

"PG/TV *Zoom*" supported horizontal/vertical scaling mode independent that linearly scales the input picture to meet the visible part of a TV's screen.

Remark : In zoom mode, "PG/TV *Zoom*" doesn't support vertical scaling mode. So "vertical scaling" will disable at zoom mode.

Control step :

5.4.1. Press [**Ⓢ**] to pop up main menu, if the main menu not shown.

5.4.2. Use [+] or [-] to locate horizontal/vertical scaling control icon.

5.4.3. Press [**➡○**] to enter horizontal/vertical scaling control mode.

5.4.4. Press [+] or [-] to toggle horizontal/vertical scaling mode.

To exit horizontal/vertical scaling control, press [**Ⓢ**] again

5.5 Positioning



"PG/TV *Zoom*" supported two position modes (vertical and horizontal) in position control. Position control is for TV screen moving.

Control step :

5.5.1. Press [**Ⓢ**] to pop up main menu, if the main menu not shown.

5.5.2. Use [+] or [-] to locate position control icon.

5.5.3. Press [**➡○**] to enter position control mode.

5.5.4. Press [**➡○**] to toggle the position mode (vertical and horizontal).

5.5.5. press [+] or [-] to move TV screen up/down or right/left.

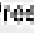
To exit Position control, press [**Ⓢ**] again

5.6 Bright



There are four level bright modes supported in bright control.

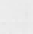
Control step :

- 5.6.1. Press [&] to pop up main menu, if the main menu not shown.
 - 5.6.2. Use [+] or [-] to locate bright control icon.
 - 5.6.3. Press [] to enter the bright control mode.
 - 5.6.4. press [+] or [-] to select the desired bright level.
- To exit Bright control, press [&] again

5.7. Color Bar



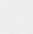
Control step :

- 5.7.1. Press [&] to pop up main menu, if the main menu not shown.
 - 5.7.2. Use [+] or [-] to locate color bar control icon.
 - 5.7.3. Press [] to enter color bar control mode.
 - 5.7.4. press [+] or [-] to turn on/off the color bar.
- To exit Color Bar control, press [&] again

5.8. Reset



Control step :

- 5.8.1. Press[&] to pop up main menu, if the main menu not shown.
 - 5.8.2. Use [+] or [-] to locate Reset control icon.
 - 5.8.3. Press [] to reset "PC/TV *Setting*" to default settings
- To exit Reset control, press[&] again

Chapter 6. Remote Controller

Almost of the remote controller functions are same as OSD function, except the "Freeze" function and some operation tips.

- (1) When push the "Freeze" button, it will toggle the freeze/un-freeze mode.
- (2) In freeze mode, the TV screen will be freeze, but PC monitor is still active, and the power LED twinkle until switch to un-freeze mode the VGA signal will convert to TV screen as usual.
- (3) In freeze mode, All OSD functions doesn't work until unfreeze mode was executed.
- (4) In freeze mode, if you change VGA resolution, video picture will crash, the reason is PC resolution can not match TV freeze resolution, you can unfreeze again, the video picture will resume.
- (5) Home function is the default value of Screen position only
- (6) Reset function is the default value of Bright, Sharpness only

